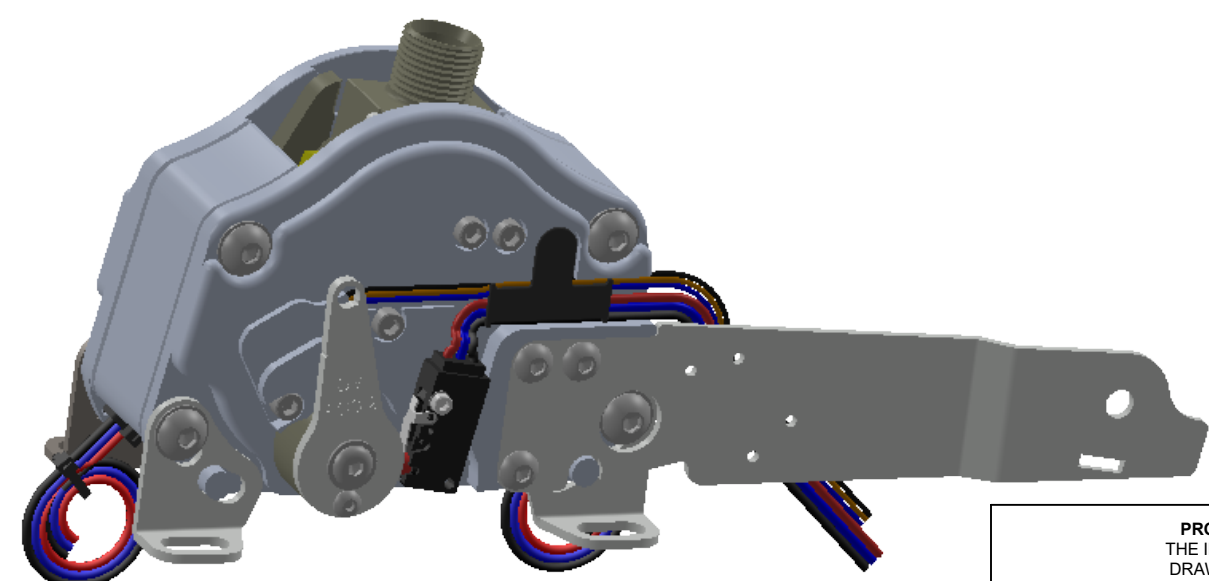
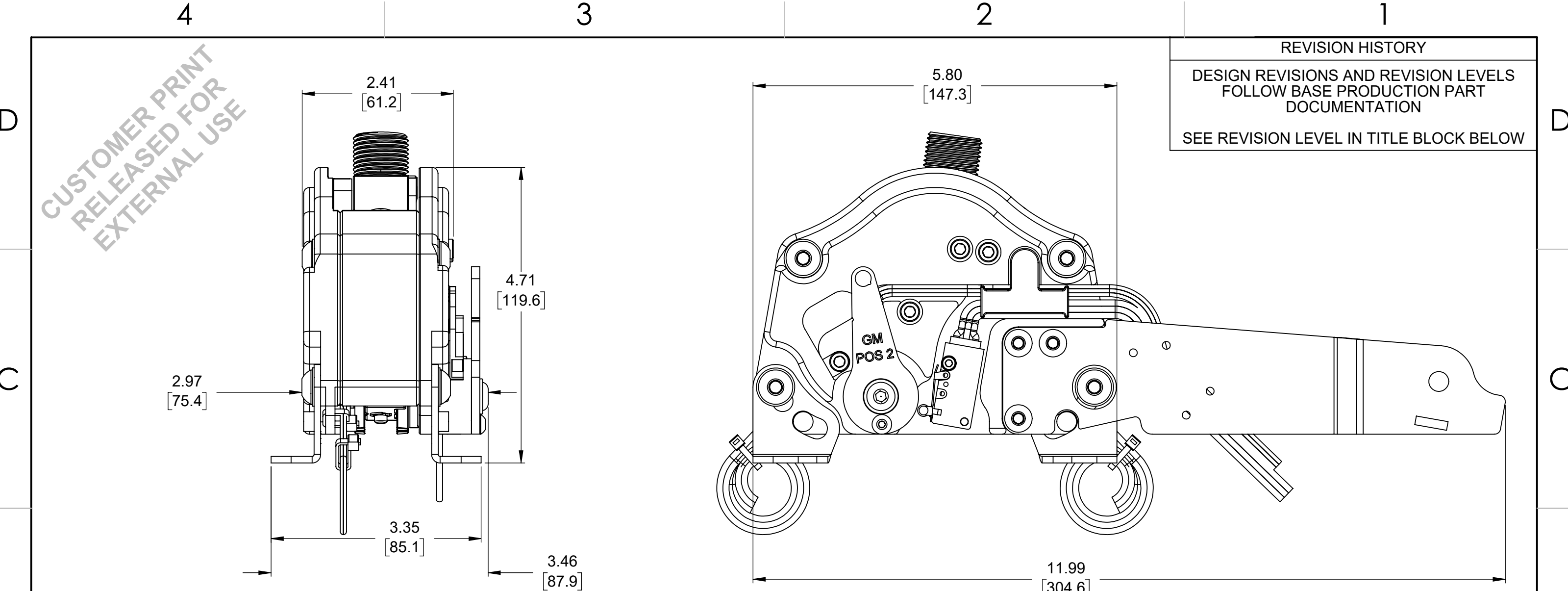


CUSTOMER PRINT  
RELEASED FOR  
EXTERNAL USE

REVISION HISTORY	
DESIGN REVISIONS AND REVISION LEVELS FOLLOW BASE PRODUCTION PART DOCUMENTATION	
SEE REVISION LEVEL IN TITLE BLOCK BELOW	

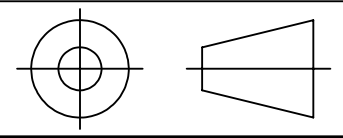


<p>PROPRIETARY AND CONFIDENTIAL THE INFORMATION CONTAINED IN THIS DRAWING IS THE SOLE PROPERTY OF LOKAR INC. ANY REPRODUCTION IN PART OR AS A WHOLE WITHOUT THE WRITTEN PERMISSION OF LOKAR INC. IS PROHIBITED.</p>	
MATERIAL:	
FINISH:	

UNLESS OTHERWISE SPECIFIED  
TOLERANCES ARE INCHES

ANGULAR: MACH  $\pm 0.01^\circ$  BEND  $\pm 1.0^\circ$   
 TWO PLACE DECIMAL:  $\pm 0.010$   
 THREE PLACE DECIMAL:  $\pm 0.005$   
 FOUR PLACE DECIMAL:  $\pm 0.002$

THIRD ANGLE PROJECTION



**LOKAR** LOKAR, INC.  
2545 QUALITY LANE  
KNOXVILLE, TN 37931

## ESS2 OVERALL DIMENSIONS

SIZE: DWG. NO:	<b>B</b>	<b>ESXXXXXX</b>	CUSTOMER	REV: A
SCALE: 1:1.5	WEIGHT: 3.546 (LBS.)	SHEET: 6 OF 6		